

Industrial air cooler VRB/VRZ

Cooling/Freezing

StSt/Al - NH₃

GEA Heat Exchangers



Goedhart



Goedhart VRB/VRZ

The range Goedhart VRB/VRZ single discharge ceiling mounted industrial air coolers consists of 510 types with capacities between 3,9 and 131,3 kW. The Goedhart VRB/VRZ air coolers are suitable for cooling and freezing applications and with a wide variety of accessories and options available. The coil block is standard build from aluminium end plates, stainless steel 304 tubes and aluminium fins. The fans are arranged for blow-through air configuration for the Goedhart VRB and draw-through for the Goedhart VRZ (please state which is required when ordering).. The modular design incorporates 5 different sizes of fan, with model options of up to 4 fans per cooler

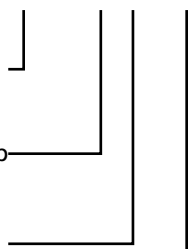
Type-description

VRB 63457

B=Blow-through
Z=Draw-through

Number of rows deep

Number of fans



Fin spacing

Fan diameter
in cm

Coil block

- Tube pitch : 50x50 mm straight
- Fin spacings : 4, 7, 8, 10 and 12 mm
- Material : 15mm o.d stainless steel 304 tubes
- : aluminium HT-fins
- Optimized cooling circuits
- Standard refrigerant connections are positioned on the left hand side of the unit when looking with the direction of the airflow.
- A good thermal contact is achieved by hydraulic expansion of the tubes into the fin collars, that are also utilised as spacers to provide a constant distance between the fins.
- All coolers are pressure tested to 30 bar (lower by cooling mediums) and are supplied with a light over pressure charge of dry nitrogen.
- Standard the air coolers are suitable for NH₃-pumpcirculation (ratio 2/4).

Casing

- Construction for ceiling mounting
- The flush mounting protects against and prevents accumulation of dust and dirt.
- Casing material of galvanized sheet steel
- Finishing is standard white epoxy spray (RAL 9003)
- Bend/header protection by end covers, easy removed for maintenance
- Hinged drip tray.
- Defrost by hot gas spiral or electric defrost elements will be fixed to the bottom side of the coil.

General range features

Capacity

The listed nominal cooling capacities are based on NH₃, DT1 and DTM and a RH of 85%.

Influence of Coating on Capacity

The use of coated fins, or of a fully coated coil will result in a capacity decrease of approximately 3%

Capacity optimisation

Since Goedhart tries to limit stock products, we are capable of optimising the circuitry of our evaporators. In order to do this, the following information is needed :

- Design capacity
- Air volume
- Refrigerant
- Air on temperature
- Evaporating temperature
- Liquid temperature before expansion valve.

Sound data

The mean sound pressure (LpA @ 3m ± 2 dB (A)) each air cooler is a calculated indication value according to the EN13487 standard parallel pipe. Goedhart uses the fan manufacturer's sound power level (LwA) at the inlet side of the fan. Changes to or by the fan or the product, affect the sound, in these cases, consult the manufacturer for the new indication value. In critical sound requirements, we advise you to consult an expert.

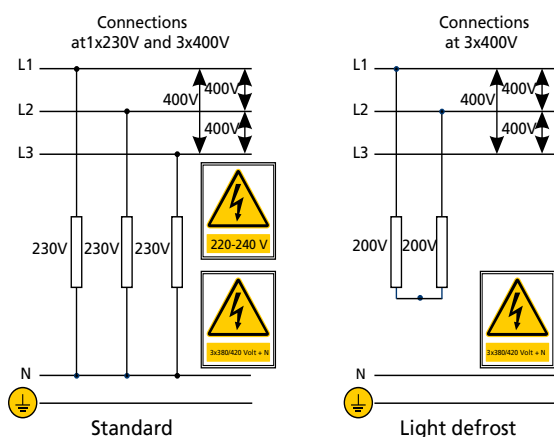
Defrostsystem:

For room temperatures where ice build-up can be expected and where the coilblock can not be defrosted by the room air, electric or hotgas defrost is necessary. With low temperatures we also advise fan periphery heating.

Electrical defrost:

The Goedhart VRB and VRZ can be provided with electric defrost. A distinction can be made here between heavy defrost loads for low temperatures and light defrost load for higher temperatures (room temperature approximately 0 °C).

The stainless steel heater elements are fitted in the coilblock in tubes, which forms a high conductive medium between the heaters and the fins. The driptray heaters are fitted to the underside of the aluminium inner tray with aluminium profiles. The heater elements which are rated for 220/240 V are connected for supply 380/415 V with neutral. The coilblock



elements are removable from the end opposite to the refrigerant connections, whilst the tray heater elements can be removed once the outer tray has been taken off.

Hotgas defrost:

The coilblock can be made suitable for hotgas. At an extra price the driptray can be provided with a hotgas/cooling medium spiral. The stainless steel tubes of the hotgas spiral are enclosed in special aluminium profiles that are rigidly secured to the underside of the aluminium inner tray, thus providing a good bond for maximum heat transfer. Just as with electric defrost a distinction is made with hotgas defrost between light defrost load (room temperature about 0°C) and heavy defrost load.

Accessories:

Standard accessories for the Goedhart VRB/VRZ air coolers are:

- Electric, hotgas and/or water defrost system.
- Fan periphery heating.
- Insulation within the driptray.
- Insulated hygienic polyester driptray.
- Goedhart VRZ supplied with bellmouth connection per fan for a longer air throw
- Goedhart VRB supplied with air diffusor for a longer air throw
- Goedhart VRB supplied with air diffusor with air operated damper to increase defrost efficiency (air volume reduced to approx. 90% and capacity reduced to approx. 95%)

The accessories are included in the price list.

Optional extras:

Various optional extras for the VRB/VRZ are available, price and delivery upon request:

- Insulation discs
- Feet for floor mounting
- Coating of the coilblock
- Fan hood
- 60 Hz motors
- EC-fans
- Single phase motors
- Over heat protection on the motors
- Glycol/water/etc. cooling mediums, NH₃ dx, R22 dx/pump-system.
- Stainless steel casing
- Coupling between hotgas spiral and coilblock
- Other fin spacings
- Stainless steel 316 tubes

Mounting and Maintenance

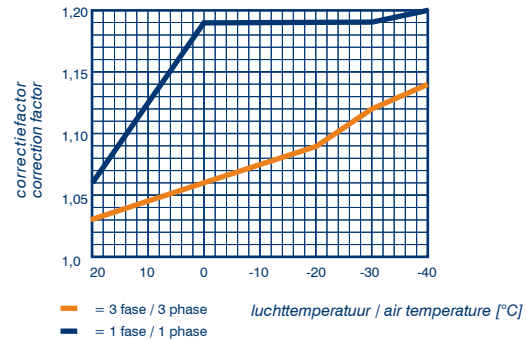
Goedhart VRB/VRZ is delivered on a wooden frame. When on the frame, Goedhart VRB/VRZ can be handled by forklift truck, which makes positioning and installation simple. Refer to our maintenance and installation manual..



Fans

The manufacturer of the fans is Süd Electric (we reserve the right to alter the manufacturer). The fans have glass fibre reinforced polypropylene impellers. The motors are available for 400V-50Hz-3 phase or 230V-50Hz-1 phase electrical supply. 2-Speed regulation can be achieved at 400/690V-50Hz-3 phase by using a D-Y reconnection (fig. 1). 3 Phase motors are suitable for a frequency controller (A sinus filter is needed, fig. 2). 1 Phase motors are suitable for phase control and transformer. The motors are standard executed with a thermo contact. The fans are suitable for operation in air temperature applications between -40 oC and +45 oC. When the air temperature is lower then -40 °C , special fans are needed. These speciale fans have a longer delivery time. The technical data in the table below are the same as on the motor name plates and is valid for an air temperature of +40 °C.

For air temperatures lower then +40 oC, the current amperage can be calculated by using the diagram multiplication factor, suitable thermal overloads can then be selected.



Three phase - 50 Hz

Fan type	Δ					Y			Protection class*	Fan heating
	Tension	Speed	Input	FLC	Sound power indication each fan LwA (+/-2dB(A))	Speed	Input	FLC		
	V	min ⁻¹	Watt	A	dB(A)	min ⁻¹	Watt	A		

4 pole motor (n=1500 rpm nom.)

400-32°	3x400/690	1350	250	0.60	74	1050	150	0.30	IP44	460
450-32°	3x400/690	1350	400	0.85	78	1050	300	0.50	IP44	580
500-40°	3x400/690	1380	880	1.90	85	1050	660	1.15	IP44	580
560-36°	3x400/690	1300	1250	2.30	85	1000	750	1.30	IP66	700
630-32°	3x400/690	1300	1250	2.30	86	1000	750	1.30	IP66	820
630-28°**	3x230/400				88	1400	1400	2.50	IP66	820

6 pole motor (n=1000 rpm nom.)

400-28°	3x400/690	900	105	0.33	63	750	65	0.13	IP44	460
450-32°	3x400/690	900	180	0.40	69	750	120	0.20	IP44	580
500-40°	3x400/690	900	500	1.00	81	760	350	0.65	IP44	580
560-32°	3x400/690	880	680	1.60	75	680	400	0.90	IP66	700
630-36°	3x400/690	880	680	1.60	80	680	400	0.90	IP66	820

Single phase - 50 Hz

Ventilator type	Speed	Input	FLC	Protection class*
	min ⁻¹	Watt	A	

4 pole motor (n=1500 rpm nom.)

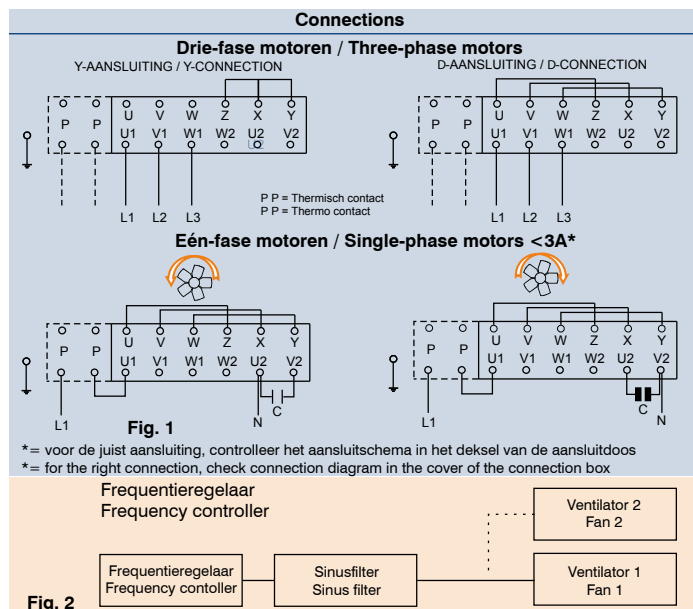
400-32°	1350	450	1.95	IP44
450-32°	1350	450	1.95	IP44
500-40°	1330	700	3.40	IP44
560-36°	1350	920	4.00	IP66
630-32°	1350	1300	7.10	IP66

6 pole motor (n=1000 rpm nom.)

400-28°	900	250	1.10	IP44
450-32°	900	250	1.10	IP44
500-40°	900	400	1.75	IP44
560-32°	870	700	3.40	IP66
630-36°	870	700	3.40	IP66

*= IP44 motors also available in IP66 execution (extra price)

**= Only freezing conditions



Correction factors

Capacities at DTM:

The capacities are based on NH₃ pump system and the difference between the mean air temperature and the evaporation temperature (DTM). The evaporation temperature is the saturated temperature corresponding to the pressure at the suction outlet of the cooler. The nominal capacities are based on evaporation temperatures of -5 °C and -25°C, a DTM of 7 K and light frosting. Capacities for other mediums and systems are available upon request.

Correction factors for various mean air temperatures and evaporation temperatures (DTM) are as indicated in the tables below.

The requested capacity must be multiplied by a correction factor from one of these tables.

$$Q_{\text{nominal}} = \text{factor} \times Q_{\text{requested}}$$

Capacities at DT1:

Hereby the capacities are based on NH₃ pump system and DT1. DT1 is the difference between air-on temperature and the evaporation temperature of the cooler. The evaporation temperature is the saturated temperature corresponding to the pressure at the suction outlet of the cooler. The nominal capacities are based on evaporation temperatures of -8°C and DT1=8K and -25°C and DT1=7K and light frosting.

Capacities for other mediums and systems are available upon request.


Correction factors for various air-on temperatures and temperature differences (DT1) are as indicated in the table below. The requested capacity must be multiplied by a correction factor from the table, so that a cooler with the resulting nominal capacity can be chosen from the selection tables.

$$Q_{\text{nominal}} = \text{factor} \times Q_{\text{requested}}$$

NH₃ light frost = 0.2 mm RV = 85%

DTM	Evaporation temperature (°C)														
	K	0	-2,5	-5	-7,5	-10	-12,5	-15	-20	-22,5	-25	-27,5	-30	-32,5	-35
5	1.44	1.49	1.54	1.59	1.62	1.65	1.69	1.51	1.52	1.54	1.56	1.58	1.60	1.61	
6	1.14	1.18	1.23	1.26	1.29	1.31	1.32	1.18	1.20	1.22	1.23	1.25	1.26	1.28	
7	0.93	0.97	1.00	1.03	1.05	1.07	1.09	0.97	0.99	1.00	1.01	1.03	1.04	1.05	
8	0.79	0.82	0.85	0.87	0.88	0.90	0.92	0.82	0.83	0.85	0.86	0.87	0.88	0.89	
9	0.68	0.71	0.73	0.75	0.76	0.77	0.79	0.71	0.72	0.73	0.74	0.75	0.76	0.77	
10	0.61	0.61	0.64	0.65	0.67	0.68	0.69	0.62	0.63	0.64	0.65	0.66	0.66	0.67	
11	0.53	0.55	0.57	0.58	0.59	0.60	0.61	0.55	0.56	0.57	0.58	0.58	0.59	0.60	
12	0.47	0.49	0.51	0.52	0.53	0.54	0.55	0.50	0.50	0.51	0.52	0.52	0.53	0.54	

DT1	Evaporation temperature (°C)														
	K	0	-2,5	-5	-7,5	-10	-12,5	-15	-20	-22,5	-25	-27,5	-30	-32,5	-35
5	1.63	1.69	1.75	1.80	1.85	1.90	1.95	1.48	1.51	1.54	1.57	1.60	1.63	1.65	
6	1.29	1.34	1.39	1.43	1.47	1.50	1.54	1.17	1.20	1.22	1.24	1.26	1.29	1.31	
7	1.06	1.11	1.14	1.17	1.21	1.24	1.26	0.97	0.99	1.00	1.02	1.04	1.06	1.07	
8	0.90	0.94	0.97	1.00	1.02	1.04	1.06	0.82	0.83	0.85	0.86	0.88	0.89	0.91	
9	0.78	0.80	0.84	0.86	0.88	0.90	0.92	0.70	0.72	0.73	0.75	0.76	0.77	0.78	
10	0.68	0.70	0.74	0.76	0.78	0.79	0.80	0.62	0.63	0.64	0.65	0.66	0.67	0.69	
11	0.61	0.63	0.66	0.68	0.69	0.70	0.71	0.55	0.56	0.57	0.58	0.59	0.60	0.60	
12	0.54	0.56	0.59	0.60	0.62	0.63	0.64	0.49	0.50	0.51	0.52	0.53	0.54	0.53	

 = calculated without frost layer

 = calculated without frost layer

NH₃ normal frost = 0.5 mm RV= 85%

DTM	Evaporation temperature (°C)														
	K	0	-2,5	-5	-7,5	-10	-12,5	-15	-20	-22,5	-25	-27,5	-30	-32,5	-35
5		1.67	1.72	1.77	1.80	1.83	1.86	1.65	1.67	1.69	1.71	1.74	1.76	1.77	
6		1.32	1.37	1.39	1.42	1.45	1.48	1.31	1.32	1.34	1.36	1.38	1.39	1.41	
7		1.10	1.13	1.16	1.17	1.19	1.21	1.08	1.09	1.11	1.12	1.13	1.15	1.16	
8			0.92	0.95	0.97	0.98	1.00	1.02	0.91	0.92	0.94	0.95	0.96	0.97	0.98
9				0.82	0.83	0.85	0.87	0.88	0.79	0.80	0.81	0.82	0.83	0.84	0.85
10				0.72	0.74	0.75	0.76	0.77	0.69	0.70	0.71	0.72	0.73	0.74	0.74
11				0.64	0.65	0.66	0.67	0.69	0.62	0.63	0.63	0.64	0.65	0.66	0.66
12				0.57	0.58	0.60	0.61	0.62	0.55	0.56	0.57	0.58	0.58	0.59	0.59

DT1	Evaporation temperature (°C)														
	K	0	-2,5	-5	-7,5	-10	-12,5	-15	-20	-22,5	-25	-27,5	-30	-32,5	-35
5		1.86	1.92	1.98	2.03	2.08	2.13	1.68	1.71	1.73	1.74	1.76	1.79	1.80	
6		1.48	1.52	1.57	1.61	1.65	1.68	1.33	1.34	1.35	1.37	1.38	1.39	1.40	
7		1.22	1.26	1.29	1.33	1.36	1.39	1.08	1.09	1.10	1.11	1.12	1.13	1.14	
8		1.04	1.07	1.09	1.12	1.14	1.16	0.91	0.92	0.93	0.95	0.96	0.97	0.98	
9			0.92	0.95	0.97	0.99	1.00	0.79	0.80	0.81	0.81	0.82	0.83	0.84	
10			0.81	0.83	0.85	0.86	0.88	0.69	0.70	0.71	0.71	0.72	0.74	0.74	
11			0.72	0.74	0.76	0.77	0.78	0.61	0.62	0.63	0.64	0.64	0.65	0.66	
12			0.65	0.67	0.68	0.69	0.70	0.55	0.56	0.57	0.58	0.59	0.60	0.61	

Attention!

Moisture carry over from the coil block:

When you select VRB with a Ø500 mm fan in an application with a high relative humidity and/or defrost with room air, Goedhart advises the use of a fan with a low pitch angle or the draw-through execution VRZ. Thus, you will avoid the risk of moisture carry over from the coil block. The fan with a low pitch angle give a reducing of the capacity of approx. 5% and a reduction of the air volume of approx. 10%.

ATTENTION !!!

When making your selection, pay attention to the ratio between the airvolume and capacity. A low volume to capacity ratio results in a wide temperature drop across the coil which cause to dry out (especially on coils with a high number of rows deep).

VRB/VRZ 7mm Technical data

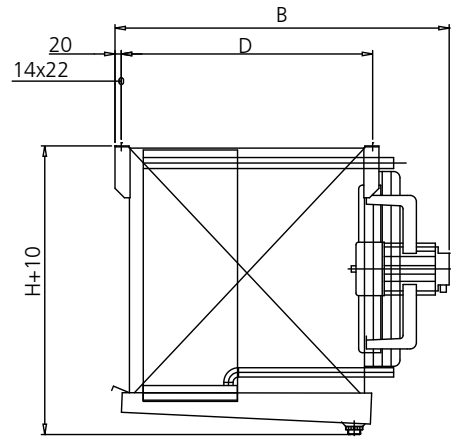
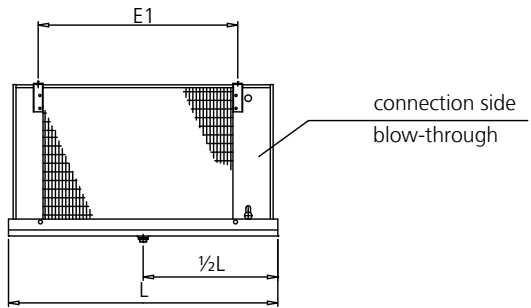
Type VRB VRZ	3x400V-50H-4pole (1500 min ⁻¹ nom.)						Surface	Internal volume	Weight	Dimensions						Connections						
	NR3				Air volume	LpA @ 3 m (+/- 2 dB(A))				L	B	H	D	E1	E2	E3	Refrigerant			Waterdefrost		
	Cooling		Freezing														In	Uit	Hot gas	Drain	In	Drain
	DTM = 7K air meq = +2°C	DT1 = 8K (SC2) air on = 0°C	DTM = 7K air meq = -18°C	DT1 = 7K (SC3) air on = -18°C																		
kW	kW	kW	kW	m ³ /h	dB(A)	m ²	dm ³	kg	mm	mm	mm	mm	mm	mm	mm	mm	mm	mm	mm	mm	mm	mm
4.1.40.7	6,9	5,8	5,6	4,2	3430	52	22	6	68	1156	700	610	500	756			21,3	21,3	22	1¼	1¼	2
6.1.40.7	9,9	7,5	7,7	5,2	3285	52	33	8	82	1156	800	610	600	756			21,3	26,7	22	1¼	1¼	2
8.1.40.7	12,4	8,5	9,7	6,0	3147	52	44	11	97	1156	900	610	700	756			21,3	26,7	22	1¼	1¼	2
4.1.45.7	9,9	8,5	7,8	6,0	5206	56	30	8	81	1256	740	710	500	856			21,3	26,7	22	1¼	1¼	2
6.1.45.7	14,2	10,9	11,3	7,8	4968	56	45	11	99	1256	840	710	600	856			21,3	26,7	22	1¼	1¼	2
8.1.45.7	17,9	12,4	14,1	8,9	4754	56	61	15	117	1256	940	710	700	856			21,3	33,7	22	1¼	1¼	2
4.1.50.7	13,0	11,4	10,7	8,2	7387	63	38	10	101	1456	820	710	600	1056			21,3	26,7	22	1¼	1¼	2
6.1.50.7	18,8	14,7	15,2	10,5	7073	63	57	14	123	1456	920	710	700	1056			21,3	33,7	22	1¼	1¼	2
8.1.50.7	23,9	17,0	18,9	12,3	6786	63	76	19	145	1456	1020	710	800	1056			21,3	33,7	22	1¼	1¼	2
4.1.56.7	18,9	16,5	14,5	11,8	10553	63	56	14	137	1556	960	910	700	1156			21,3	33,7	22	1¼	1¼	2
6.1.56.7	27,0	21,3	22,1	15,4	10195	63	84	20	167	1556	1060	910	800	1156			21,3	33,7	22	1¼	1¼	2
8.1.56.7	34,9	24,8	26,1	17,8	9864	63	112	27	196	1556	1160	910	900	1156			21,3	42,2	22	1¼	1¼	2
4.1.63.7	24,7	21,2	20,2	15,2	13095	63	76	18	172	1656	960	1110	700	1256			21,3	33,7	22	1¼	1¼	2
6.1.63.7	35,4	27,4	28,8	19,9	12734	63	114	27	210	1656	1060	1110	800	1256			21,3	42,2	22	1¼	1¼	2
8.1.63.7	45,6	32,0	35,9	22,8	12384	63	152	36	247	1656	1160	1110	900	1256			21,3	42,2	22	1¼	1¼	2
4.2.40.7	13,7	11,6	11,2	8,5	6853	55	44	11	108	1856	700	610	500	1456			21,3	26,7	22	1¼	1¼	2
6.2.40.7	19,8	14,9	15,8	10,7	6563	55	66	16	132	1856	800	610	600	1456			21,3	33,7	22	1¼	1¼	2
8.2.40.7	24,7	16,9	19,4	12,0	6285	55	89	21	157	1856	900	610	700	1456			21,3	33,7	22	1¼	1¼	2
4.2.45.7	19,7	16,9	16,1	12,3	10405	59	61	15	130	2056	740	710	500	1656			21,3	33,7	22	1¼	1¼	2
6.2.45.7	27,8	21,6	22,6	15,7	9926	59	91	22	162	2056	840	710	600	1656			21,3	42,2	22	1¼	1¼	2
8.2.45.7	35,7	24,8	28,2	17,7	9495	59	122	29	193	2056	940	710	700	1656			21,3	42,2	22	1¼	1¼	2
4.2.50.7	25,9	22,8	21,4	16,5	14765	66	76	18	169	2456	820	710	600	2056			21,3	42,2	22	1¼	1¼	2
6.2.50.7	37,6	29,3	30,3	21,0	14135	66	114	27	206	2456	920	710	700	2056			21,3	42,2	22	1¼	1¼	3
8.2.50.7	47,8	34,0	37,7	24,5	13560	66	152	36	244	2456	1020	710	800	2056			21,3	42,2	22	1¼	1¼	3
4.2.56.7	37,7	32,9	29,0	23,5	21096	66	111	27	232	2656	960	910	700	2256			21,3	42,2	22	1¼	1¼	2
6.2.56.7	54,0	42,5	44,0	30,7	20378	66	167	40	285	2656	1060	910	800	2256			21,3	48,3	34	1¼	1¼	3
8.2.56.7	69,6	49,6	52,2	35,6	19714	66	223	53	337	2656	1160	910	900	2256			21,3	48,3	34	1¼	1¼	3
4.2.63.7	49,4	42,4	40,4	30,4	26184	66	152	36	293	2856	960	1110	700	2456			21,3	48,3	22	1¼	1¼	3
6.2.63.7	70,6	54,8	57,5	39,8	25457	66	228	54	361	2856	1060	1110	800	2456			21,3	60,3	34	1¼	1¼	3
8.2.63.7	91,0	63,9	71,8	45,5	24754	66	304	72	430	2856	1160	1110	900	2456			26,7	60,3	34	1¼	1¼	3
4.3.45.7	29,2	25,4	24,0	18,5	15604	61	91	22	183	2856	740	710	500	2456			21,3	42,2	22	1¼	1¼	2x2
6.3.45.7	42,5	32,5	33,9	23,5	14883	61	137	33	228	2856	840	710	600	2456			21,3	42,2	22	1¼	1¼	2x2
8.3.45.7	53,5	37,2	42,0	26,6	14236	61	182	44	273	2856	940	710	700	2456			21,3	42,2	34	1¼	1¼	2x2
4.3.50.7	38,7	34,1	32,1	24,6	22144	67	114	27	235	3456	820	710	600	3056	1028	2028	21,3	42,2	22	2x1¼	2x1¼	2x2
6.3.50.7	55,5	43,9	45,4	31,8	21197	67	171	41	291	3456	920	710	700	3056	1028	2028	21,3	48,3	34	2x1¼	2x1¼	2x2
8.3.50.7	71,5	51,0	56,6	36,5	20333	67	228	54	346	3456	1020	710	800	3056	1028	2028	21,3	48,3	34	2x1¼	2x1¼	2x2
4.3.56.7	56,5	49,1	46,3	35,9	31642	67	167	40	326	3806	960	910	700	3356	2228	1128	21,3	48,3	34	2x1¼	2x1¼	2x2
6.3.56.7	82,0	63,5	66,0	46,0	30562	67	251	60	402	3806	1060	910	800	3356	2228	1128	26,7	60,3	34	2x1¼	2x1¼	2x2
8.3.56.7	104,4	74,2	82,6	52,8	29566	67	335	79	478	3806	1160	910	900	3356	2228	1128	26,7	60,3	34	2x1¼	2x1¼	2x3
4.3.63.7	73,6	63,8	60,0	46,4	39271	67	228	54	425	4106	960	1110	700	3656	2428	1228	26,7	60,3	34	2x1¼	2x1¼	2x2
6.3.63.7	105,9	82,2	85,6	59,7	38181	67	342	81	524	4106	1060	1110	800	3656	2428	1228	26,7	60,3	42	2x1¼	2x1¼	2x3
8.3.63.7	133,8	95,8	107,2	68,7	37124	67	456	108	624	4106	1160	1110	900	3656	2428	1228	26,7	76,1	42	2x1¼	2x1¼	2x3
4.4.50.7	51,7	45,5	42,7	33,0	29523	68	152	36	303	4506	820	710	600	4056	2028	2028	21,3	48,3	22	2x1¼	2x1¼	2x3
6.4.50.7	75,2	58,6	60,6	42,5	28259	68	228	54	374	4506	920	710	700	4056	2028	2028	21,3	60,3	34	2x1¼	2x1¼	2x3
8.4.50.7	95,5	67,9	75,4	49,0	27107	68	304	72	445	4506	1020	710	800	4056	2028	2028	26,7	60,3	34	2x1¼	2x1¼	2x3
4.4.56.7	75,4	65,8	57,9	47,0	42185	68	223	53	429	4906	960	910	700	4456	2228	2228	26,7	60,3	34	2x1¼	2x1¼	2x3
6.4.56.7	107,9	84,9	88,0	61,3	40744	68	334	79	527	4906	1060	910	800	4456	2228	2228	26,7	60,3	42	2x1¼	2x1¼	2x3
8.4.56.7	139,2	99,1	104,3	71,1	39415	68	446	106	627	4906	1160	910	900	4456	2228	2228	26,7	76,1	42	2x1¼	2x1¼	2x3
4.4.63.7	98,7	84,8	80,6	60,8	52359	68	304	72	546	5306	960	1110	700	4856	2428	2428	26,7	60,3	34	2x1¼	2x1¼	2x3
6.4.63.7	140,4	109,6	114,9	79,5	50904	68	456	108	677	5306	1060	1110	800	4856	2428	2428	33,7	76,1	42	2x1¼	2x1¼	2x3
8.4.63.7	181,9	127,7	143,5	91,0	49495	68	608	144	807	5306	1160	1110	900	4856	2428	2428	33,7	76,1	48	2x1¼	2x1¼	2x3

Pay attention to the relation capacity / air volume !!

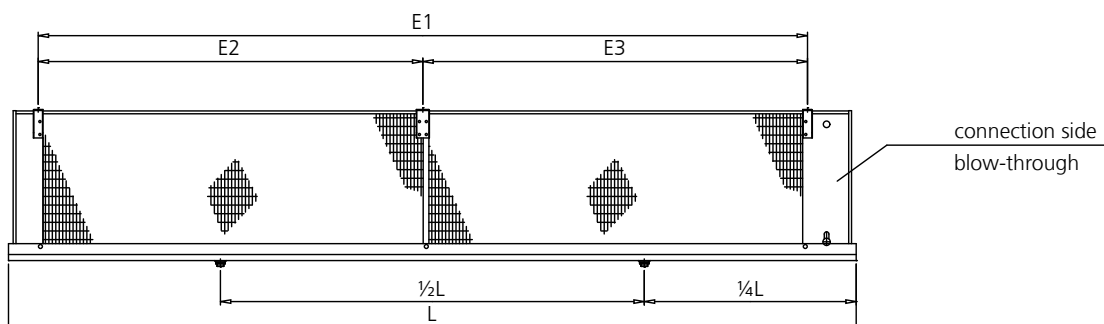
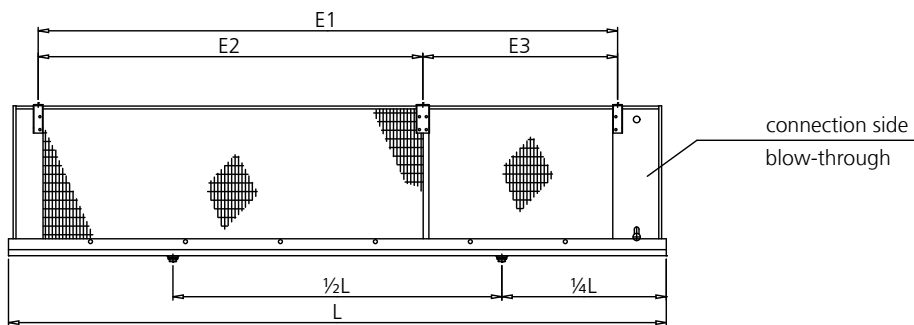
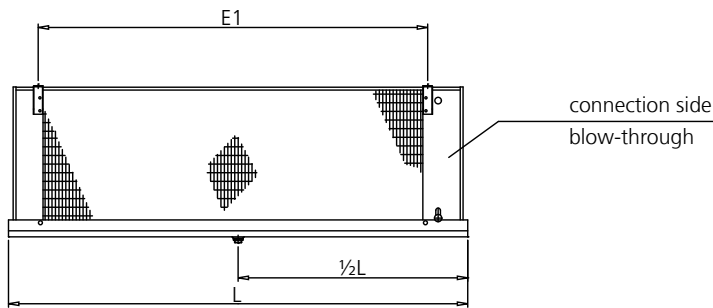
* = Sound pressure indication (LpA) at 3 m distance each air cooler (+/- 2 dB(A)) , free field conditions, according EN13487

For moisture carry over see remark pag 5

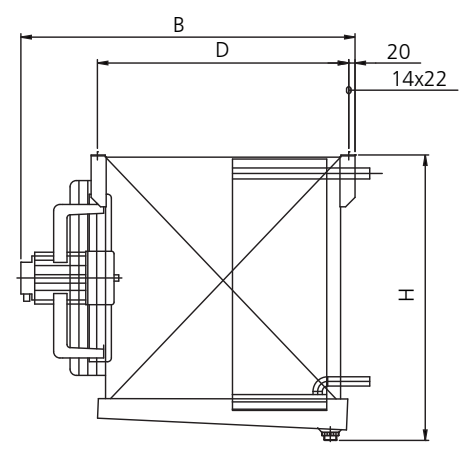
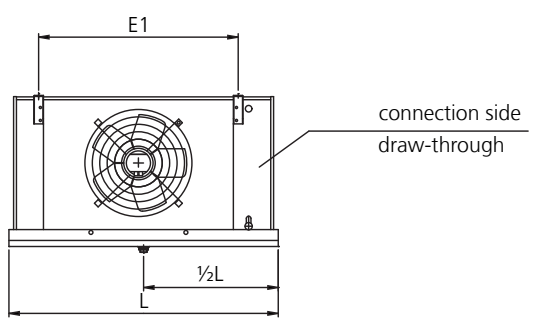
VRB Drawing



Air configuration : Blow through



VRZ Drawing



Air configuration : Draw through

